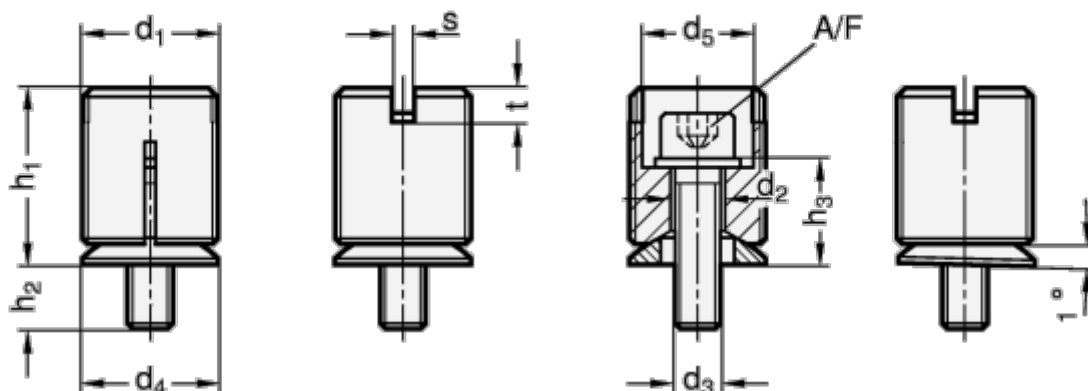


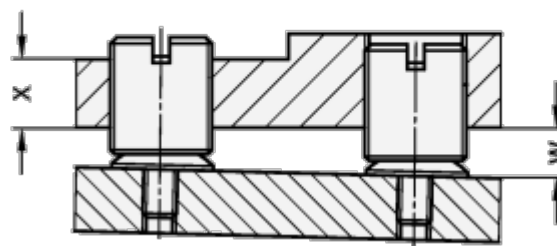
Article number: 20355M24159ST

Description: E+G Levelling elements, GN 355-M24x1.5-9-ST

## Measures



### Application example



A/F = 8	h3 = 18.7
d1 = M24x1.5	Load in KN = 29.5
d2 = 9	s = 4
d3 = M8	t = 6
d4 = 24	Tool = GN 355.1-24
d5 = 19.6	W.max = 17
h1 = 31.1	Weight in (g) = 63
h2 = 11.3	X.min = 16